

ELITE COAXIALS



ADDICTIVE AUDIO

ECX6

85 rms - 190 max
90.4dB 1w/1m
Freq. Response
45Hz - 23kHz

www.ADDICTIVE AUDIO INC .com

WOOFER

BUTYL RUBBER SURROUND

WOVEN BLACK KEVLAR CONE

4ohm 1" KAPTON® VOICE COIL

SYMMETRICAL ROLL NC SPIDER

RIGID CAST ALUMINUM BASKET

15oz. STRONTIUM FERRITE MOTOR

MAGNET COVER

TWEETER

1" SILK INFUSED ALUMINUM MEMBRANE

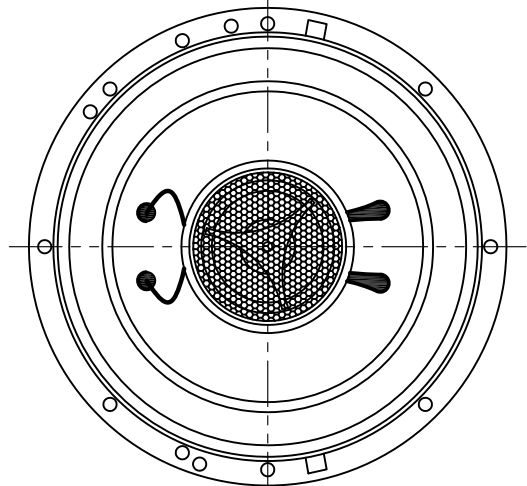
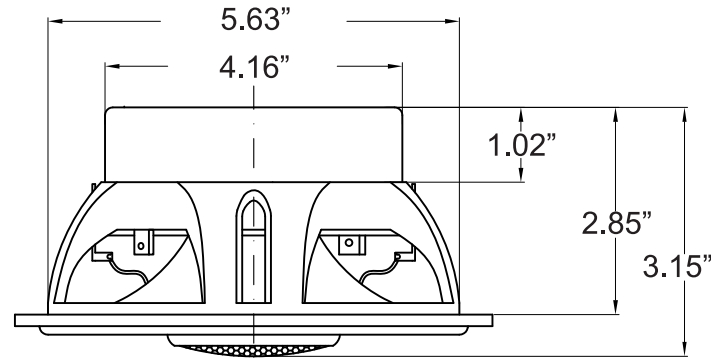
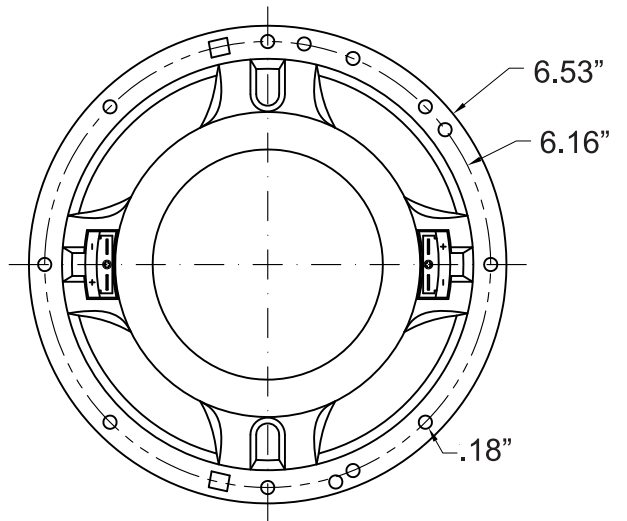
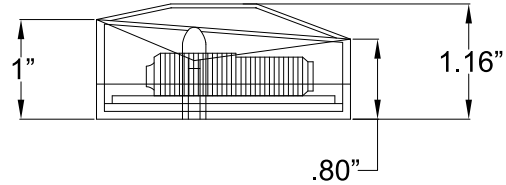
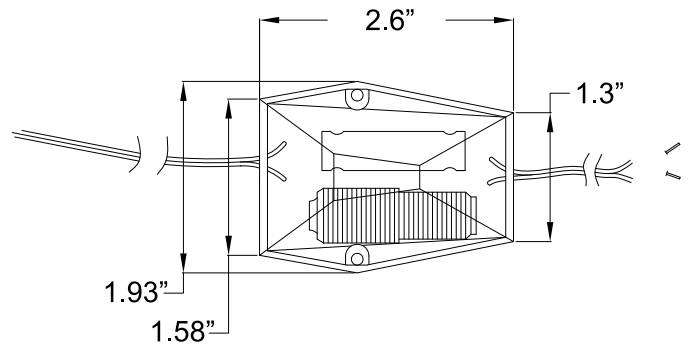
NEODYMIUM MOTOR AND FERROFLUID COOLED

CROSSOVER

METALIZED POLYPROPYLENE (1% TOL.) CAPACITORS

IRON CORE INDUCTORS

PPTC TWEETER PROTECTION CIRCUIT



LIMITED WARRANTY INFORMATION

Addictive Audio warrants this product to be free from defects in material and workmanship under normal use for a period of one (1) year from date of original purchase when installed by an authorized dealer. Items not installed by an authorized dealer will be warranted for ninety (90) days from date of original purchase. All returns must be accompanied with original sales receipt. Should service be necessary under this warranty for any reason due to manufacturing defect or malfunction during the warranty period, Addictive Audio will replace or repair (at its discretion) the defective merchandise with equivalent merchandise at no charge. Discontinued products may be replaced with equivalent products.

This warranty is valid only for the original purchaser and is not extended to owners of the product subsequent to the original purchaser. Any applicable implied warranties are limited in duration to a period of the express warranty as provided herein beginning with the date of original purchase at retail, and no warranties, whether express or implied, shall apply to this product thereafter. Some states do not allow limitations on implied warranties, therefore these exclusions may not apply to you.

THE FOLLOWING IS NOT COVERED BY WARRANTY

This warranty is valid only if the product is used for the purpose for which it was designed. It does not cover:

- Damage to cone, dustcap, or surround due to installation slips.
- Speakers with silicon caulk used for gasket material.
- Speakers damaged due to amplifier clipping or distortion.
- Damage caused by exposure to water and/or excessive heat.
- Damage through negligence, misuse, or accident.
- Items physically damaged due to abuse.
- Freight damage.
- The cost of shipping product to Addictive Audio Service Center.
- Items previously repaired by any unauthorized individuals or dealers.
- Items returned from unauthorized individuals or dealers.
- Items returned without original sales receipt.
- Return shipping on non-defective items.

WHAT TO DO IF YOU NEED WARRANTY OR SERVICE

Please follow each step below completely. Warranty or service will not be honored unless each and every step below is completed.

- 1. Obtain an Return Authorization Number**
 - Go to: www.addictive-audio.com and click "SUPPORT" then click "OBTAIN R.A.,"
 - Call Addictive Audio Customer Service at (559) 348-9550 Mon-Sat 10am-5pm P.S.T.
- 2. Pack items in original container(s) or in a package that will prevent shipping damage.**
 - Original sales receipt from Authorized Dealer must be included for each item returned.
- 3. The RA# should be clearly marked on outside of the package. Return only defective components.**
- 4. Freight must be prepaid; items received freight collect will be refused.**

After completing all 4 steps above, please send package to:
Addictive Audio - 2586 N. Clovis Ave. #102 - Fresno, CA 93727

Failure to complete any one of the steps above when obtaining warranty/service may void your warranty.

ELITE COAXIALS



ADDICTIVE AUDIO

ECX69

85 rms - 190 max
93.6dB 1w/1m
Freq. Response
40Hz - 23kHz

www.ADDICTIVEAUDIOINC.com

WOOFER

BUTYL RUBBER SURROUND

WOVEN BLACK KEVLAR CONE

4ohm 1" KAPTON® VOICE COIL

SYMMETRICAL ROLL NC SPIDER

RIGID CAST ALUMINUM BASKET

15oz. STRONTIUM FERRITE MOTOR

MAGNET COVER

TWEETER

1" SILK INFUSED ALUMINUM MEMBRANE

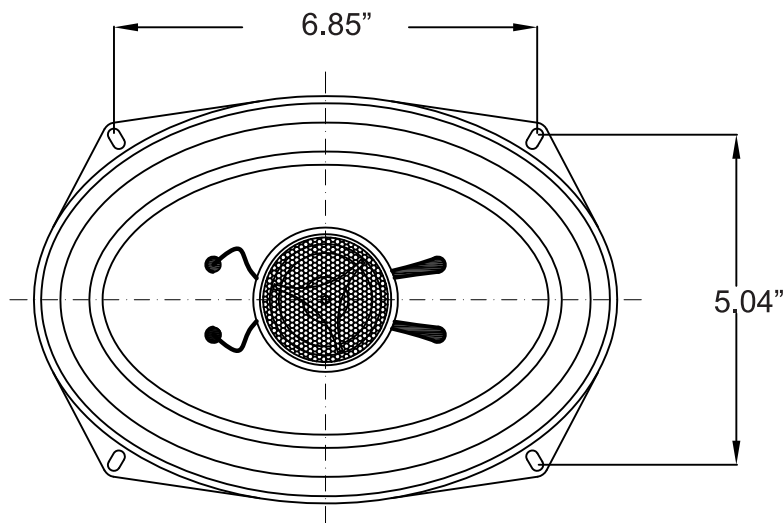
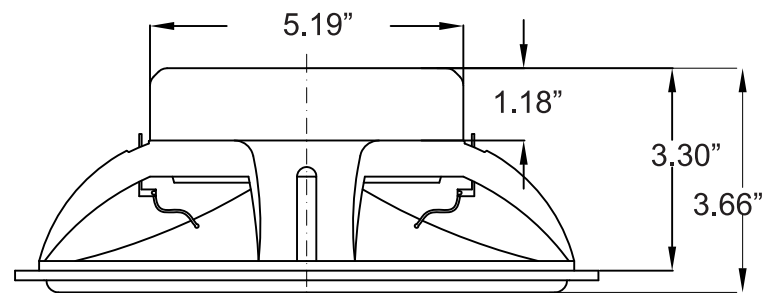
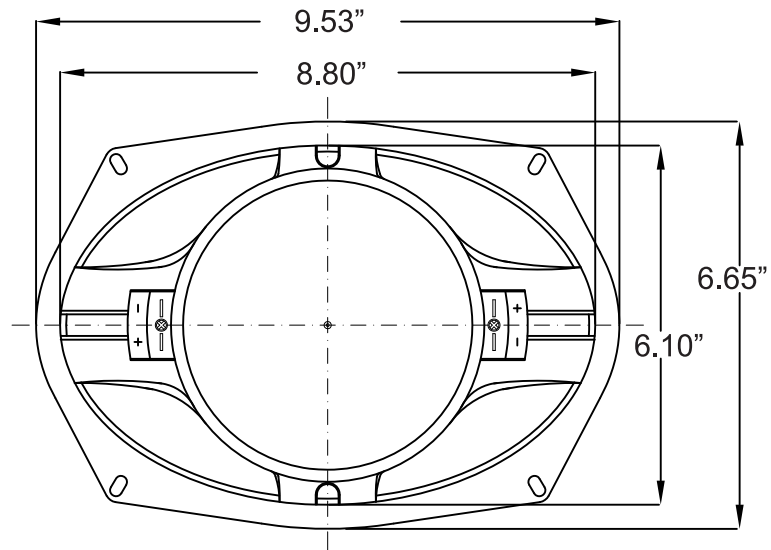
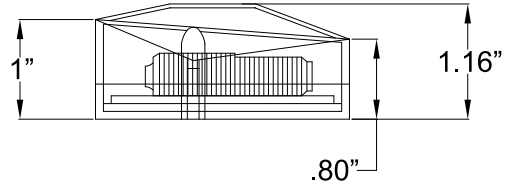
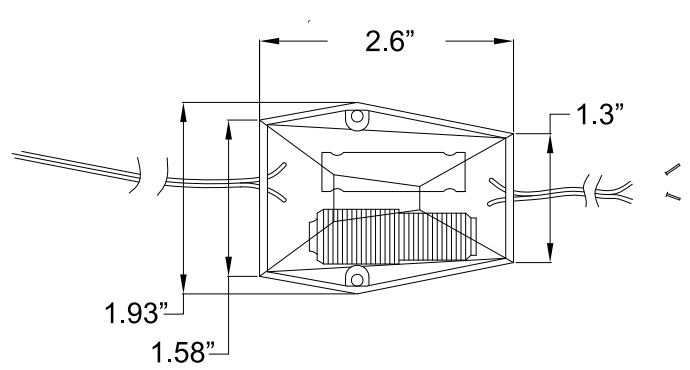
NEODYMIUM MOTOR AND FERROFLUID COOLED

CROSSOVER

METALIZED POLYPROPYLENE (1% TOL.) CAPACITORS

IRON CORE INDUCTORS

PPTC TWEETER PROTECTION CIRCUIT



LIMITED WARRANTY INFORMATION

Addictive Audio warrants this product to be free from defects in material and workmanship under normal use for a period of one (1) year from date of original purchase when installed by an authorized dealer. Items not installed by an authorized dealer will be warranted for ninety (90) days from date of original purchase. All returns must be accompanied with original sales receipt. Should service be necessary under this warranty for any reason due to manufacturing defect or malfunction during the warranty period, Addictive Audio will replace or repair (at its discretion) the defective merchandise with equivalent merchandise at no charge. Discontinued products may be replaced with equivalent products.

This warranty is valid only for the original purchaser and is not extended to owners of the product subsequent to the original purchaser. Any applicable implied warranties are limited in duration to a period of the express warranty as provided herein beginning with the date of original purchase at retail, and no warranties, whether express or implied, shall apply to this product thereafter. Some states do not allow limitations on implied warranties, therefore these exclusions may not apply to you.

THE FOLLOWING IS NOT COVERED BY WARRANTY

This warranty is valid only if the product is used for the purpose for which it was designed. It does not cover:

- Damage to cone, dustcap, or surround due to installation slips.
- Speakers with silicon caulk used for gasket material.
- Speakers damaged due to amplifier clipping or distortion.
- Damage caused by exposure to water and/or excessive heat.
- Damage through negligence, misuse, or accident.
- Items physically damaged due to abuse.
- Freight damage.
- The cost of shipping product to Addictive Audio Service Center.
- Items previously repaired by any unauthorized individuals or dealers.
- Items returned from unauthorized individuals or dealers.
- Items returned without original sales receipt.
- Return shipping on non-defective items.

WHAT TO DO IF YOU NEED WARRANTY OR SERVICE

Please follow each step below completely. Warranty or service will not be honored unless each and every step below is completed.

1. Obtain an Return Authorization Number

- Go to: www.addictive-audio.com and click "SUPPORT" then click "OBTAIN R.A.#"
- Call Addictive Audio Customer Service at (559) 348-9550 Mon-Sat 10am-5pm P.S.T.

2. Pack items in original container(s) or in a package that will prevent shipping damage.

- Original sales receipt from Authorized Dealer must be included for each item returned.

3. The RA# should be clearly marked on outside of the package. Return only defective components.

4. Freight must be prepaid; items received freight collect will be refused.

After completing all 4 steps above, please send package to:

Addictive Audio - 2586 N. Clovis Ave. #102 - Fresno, CA 93727

Failure to complete any one of the steps above when obtaining warranty/service may void your warranty.