

PURE SERIES COMPONENTS & CO-AXIALS

PURE1S Standard 25mm Pure Italian Silk Membrane: 75 rms – 150 max 91.2dB 1w/1m - Freq. Response 1500Hz – 25kHz

PURE1T Tuned 25mm Pure Italian Silk Membrane: 75 rms – 150 max 91.2dB 1w/1m - Freq. Response 1100Hz – 25kHz

PURE3 3" Mid-Range: 75 rms – 160 max 86.8dB 1w/1m Freq. Response 120Hz – 16kHz

PURE6x 6.5" Co-Axial: 135 rms – 200 max 90.1dB 1w/1m Freq. Response 50Hz – 25kHz

PURE6 6.5" Mid-Bass: 135 rms – 290 max 90.7dB 1w/1m Freq. Response 45Hz – 7kHz

P65c-2W (PURE6 + PURE1 + CROSSOVER) 2-Way Component Kit: 135 rms – 290 max 90.7dB 1w/1m - Freq. Response 45Hz – 25kHz

P65c-3W (PURE6 + PURE3 + PURE1 + CROSSOVER) 3-Way Component Kit: 135 rms – 290 max 90.7dB 1w/1m - Freq. Response 45Hz – 25kHz



WOOFER

NITRILE BUTADIENE RUBBER SURROUND

COPPURE® IONIZED COPPER
& GLASS FIBER CONE

4ohm 1.25" WET-WOUND VOICE COIL

SYMMETRICAL ROLL NC³ SPIDER

INFINIFIBER® SELF-DAMPING BASKET

FERRITE & NEODYMIUM COMBINED MOTOR

INDUCTANCE & DISTORTION REDUCING
COPPER POLE CAP

MESH GRILL (SOLD SEPARATELY)

TWEETER - CHOICE OF:

.1" PURE ITALIAN SILK MEMBRANE

TWEETER INCLUDED ON PURE6x CO-AXIAL
(PURE1S)

OR

1" PURE ITALIAN SILK MEMBRANE
IN MACHINED ALUMINUM CASING
WITH REAR TUNED CHAMBER (PURE1T)

NEODYMIUM MOTOR

CROSSOVER

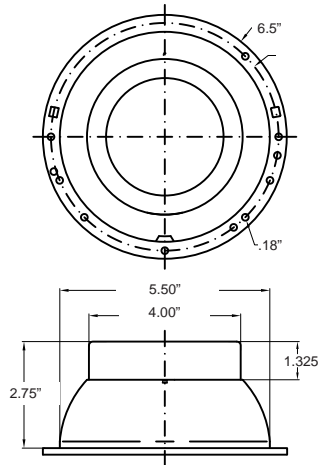
DOUBLE LAYER MKP METALIZED
POLYPROPYLENE FOIL CAPACITORS

TIGHT-WOUND AIR CORE INDUCTORS

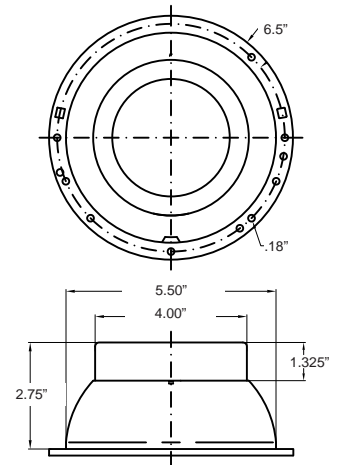
PPTC TWEETER PROTECTION CIRCUIT

SECOND ORDER 12dB DESIGN

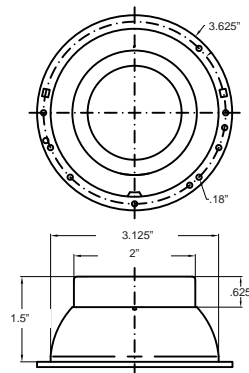
PURE6x



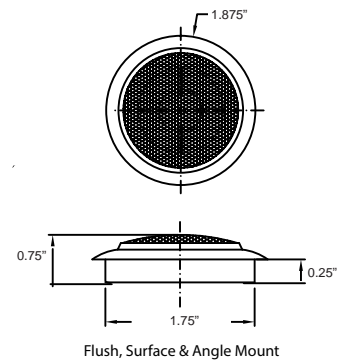
PURE6



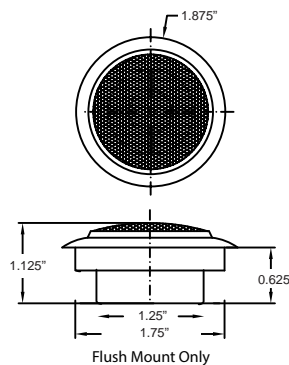
PURE3



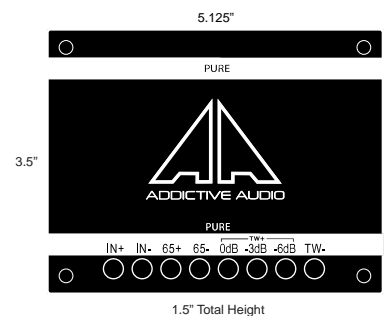
PURE1S



PURE1T



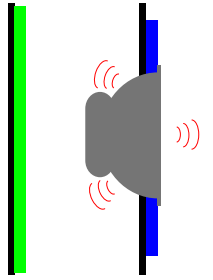
PURE2W & PURE3W



IMPORTANT

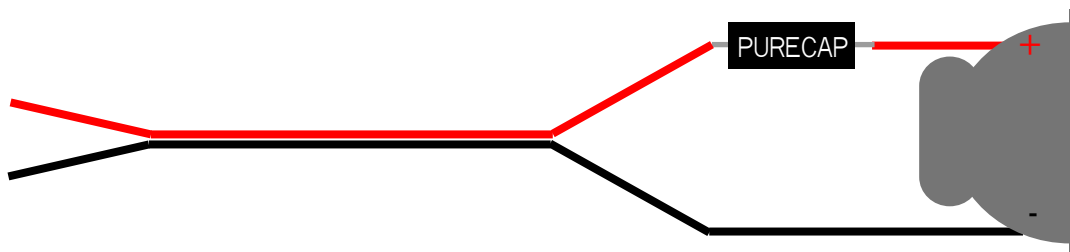
PUREMAT

A 4 square foot sheet of Puremat is included with every set of Pure series co-axial and component speakers. For best performance, be sure to put a piece behind the speaker (green line) and on the panel the speaker is mounted to (blue line).



PURECAP

An Addictive Audio audiophile grade PURECAP is included with each co-axial speaker. Be sure to put the PURECAP inline on the positive (+) lead associated with the tweeter terminal. For longevity and mounting simplicity, it is better to put the PURECAP inline on the wire and insulate, rather than soldering the PURECAP directly to the tweeters + tab.



SOUNDBOARDS

When installing Pure series component and/or co-axial speakers, it is best to install each speaker in a .5 cubic foot enclosure or larger for best performance.